

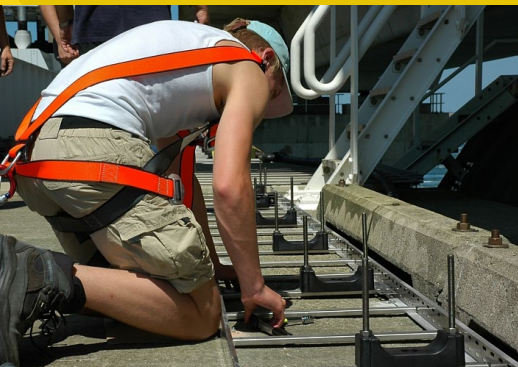
The strongest polyamide cable clamps and blocks in the world

# KOZ<sup>®</sup> PRODUCTS BV

Design – Development – Manufacturing



KHLim



[WWW.KOZPRODUCTS.COM](http://WWW.KOZPRODUCTS.COM)



**ALL KOZ® CABLE CLAMPS AND BLOCKS ARE TESTED IN ACCORDANCE WITH THE LATEST INTERNATIONAL STANDARD. THE NEN-EN-IEC 61914: 2021.**

***“KOZ® cable clamps and blocks are not just there to clamp the cables but also to prevent consequential damage to your installation or employees in the event of a short circuit.”***

KOZ Products B.V. has specialized itself in the design and manufacturing of high-quality polyamide cable clamps and blocks. In 1998 the KOZ® cable clamps and blocks were launched and since then KOZ Products B.V. has developed itself nowadays to one of the market leaders in our industry. The wide range of KOZ® cable clamps and blocks are now used in more than 40 countries worldwide and have proven themselves in the most extreme weather conditions as a strong and reliable product.

While continuing to further develop the current assortment and bringing new innovative solutions to the market KOZ Products B.V. distinguishes itself as a partner you can rely on. It is our goal to meet your wishes and requirements, our customers come first. Does our assortment not offer a suitable solution? We would gladly explore the option for a customized cable clamp or block.

Safety is our top priority. That is why all KOZ® cable clamps and blocks are thoroughly tested and are certified to the NEN-EN-IEC 61914:2021 standard. This international standard sets a number of important requirements, such as the load capacity, short circuit resistance and fire safety. KOZ Products B.V. however takes another step and continues to test out other aspects of our KOZ® cable clamps and blocks, so that we know exactly what our products can handle and provide you with the best possible advice on which KOZ® cable clamps and blocks you would need.

**Advantages:**

- Resistant to oils, greases, frost, heat, UV, ozone, saltwater, salts, acids and aggressive chemicals.
- Non-oxidizing and non-corrosive.
- Non-magnetic and non-conductive.
- Halogen-free and no sharp edges.
- V-O (UL94), self-extinguishing.
- Permanent application from -80°C to +120°C. Short-term heating of up to +220°C.
- Lifetime warranty.
- Easy assembly.
- Available worldwide.

***“QUALITY AND SERVICE ARE THE MAIN OBJECTIVES OF KOZ PRODUCTS B.V. THE QUALITY CHECKS (ISO 9001) AND EXTRA CERTIFICATIONS SUCH AS THE UNDERWRITERS LABORATORIES (UL) AND THE LLOYDS REGISTER NETHERLANDS ENSURE A PRODUCT OF HIGH QUALITY WITHOUT FAULTS, SO YOU CAN ALWAYS RELY ON OUR PRODUCTS!”***





## ST SERIES CABLE CLAMPS

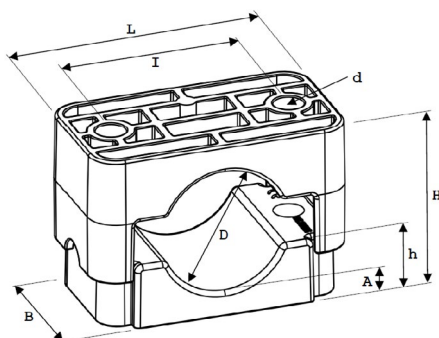
**Application:** This ST series is suitable for mounting single- and multiple-conductor low- medium- and high voltage cables with a nominal outer diameter of 11mm t/m 160mm.

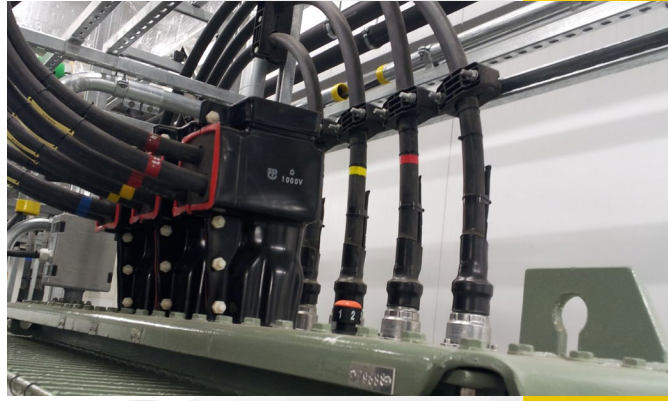
**Design:** The ST clamp consist of 2 parts, a bottom part and a upper part. They are designed for an easy installation of the cable. Because of the unique design, they meet the highest possible requirements. This makes them very suitable for applications where a high resistance to short-circuit currents is required. The ST clamps have two fixing holes for threaded rods or bolts, furthermore the upper part has integrated chambers through which the nuts, for securing the bottom part, fall away in the clamp.

Initial torque for fastening fixing material : 5 – 8 Nm.  
(depends on cable manufacturer's prescription).

### DIMENSIONS IN MILLIMETERS

Type	DØ	L	B	I	dØ	H	h	a	Strength
KOZ ST 11-17	11-17	57	45	25-35	6,5	27-33	10	5	14.800 N
KOZ ST 18-26	18-26	77	45	49	10,5	36-44	13,5	6	25.000 N
KOZ ST 26-38	26-38	92	60	60	12,5	48-60	21	10	35.200 N
KOZ ST 36-52	36-52	108	60	75	12,5	58-74	27	11	28.000 N
KOZ ST 50-75	50-75	128	60	95	12,5	76-101	35	13	34.100 N
KOZ ST 75-100	75-100	170	80	127	14,5	114-141	49	19	85.100 N
KOZ ST 75-105	75-105	160	80	125	13	109-139	49	16	71.300 N
KOZ ST 100-130	100-130	200	80	158	14,5	145-175	60	21	70.000 N
KOZ ST 120-160	120-160	230	80	190	15,5	145-185	71	24	48.000 N





# STC SERIES CABLE CLAMPS

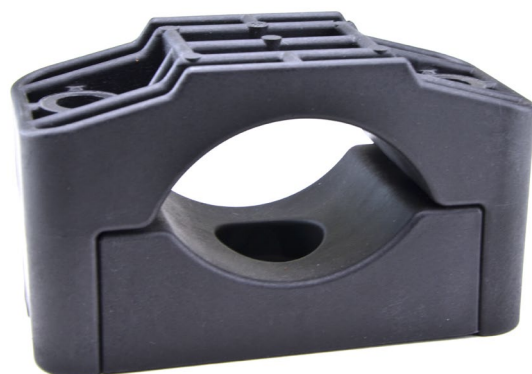
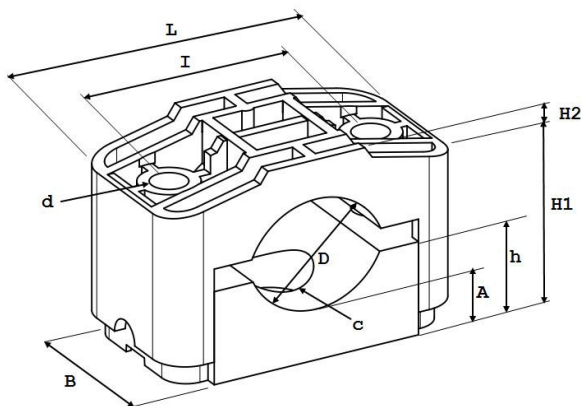
**Application:** Suitable for mounting single- and multiple-conductor low- medium- and high voltage cables with a nominal outer diameter of 25mm t/m 150mm.

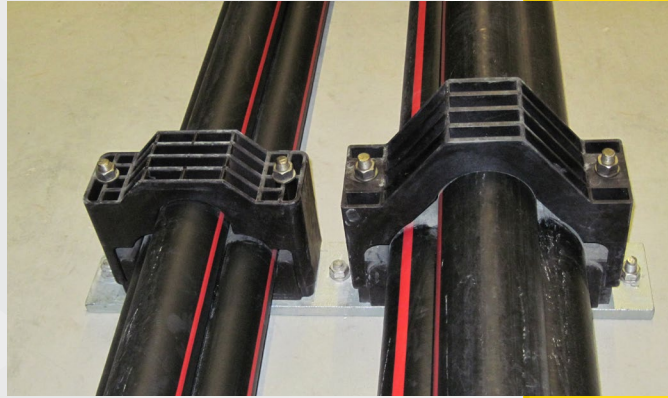
**Design:** The STC clamp consist of 2 parts, a bottom part and a upper part. They are designed for an easy installation of the cable. In addition to the two outer mounting holes, this clamp has a central fastening hole in the bottom part. This enables more installation possibilities for e.g. masts, poles, concrete or fitting rails.

Initial torque for fastening fixing material: 5 – 8 Nm.  
(depends on cable manufacturer's prescription).

**DIMENSIONS IN MILIMETERS**

Type	DØ	L	B	I	dØ	H1	H2	h	A	C	Strength
KOZ STC 21-38	21-38	92	60	60	12,5	45-61	9	26	18	12,5	38.700 N
KOZ STC 36-52	36-52	107	60	75	12,5	57-72	12	33	18	12,5	45.300 N
KOZ STC 46-75	46-75	128	60	95	12,5	65-95	14	35	20	12,5	40.800 N
KOZ STC 72-100	72-100	172	80	127	14,5	91-119	19	51	22,5	12,5	47.300 N
KOZ STC 100-130	100-130	200	80	158	14,5	145-175	23	60	21	13	70.000 N
KOZ STC 120-160	120-160	230	80	190	15,5	145-185	23	71	24	14,5	48.000 N





# TRI SERIES CABLE CLAMPS

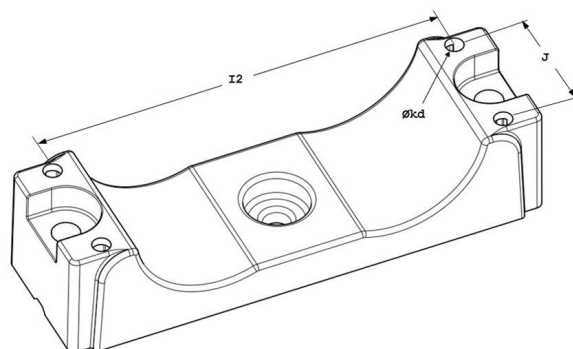
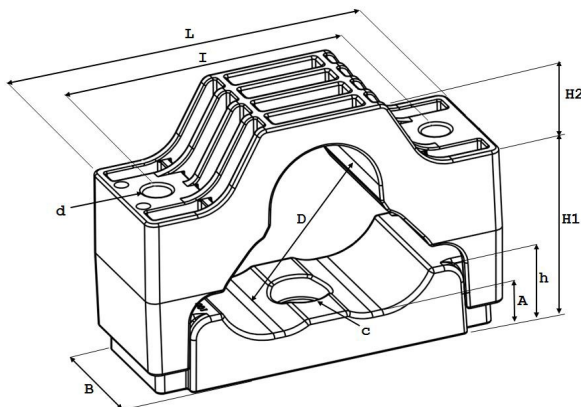
**Application:** Suitable for mounting 3 single- and multiple-conductor low- medium- and high voltage cables with a nominal outer diameter of 21mm t/m 160mm.

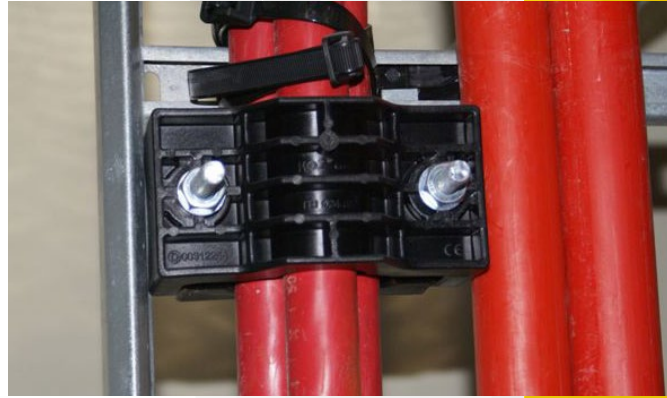
**Design:** The TRI clamp consist of 2 parts, a bottom part and a upper part. They are designed for an easy installation of the cable in Trefoil (3 cables) formation. The TRI clamps have two fixing holes for threaded rods or bolts, furthermore the upper and bottom part has integrated chambers through which the nuts fall away in the clamp. The bottom part is also provided with a central fastening hole which enables more installation possibilities.

Initial torque for fastening fixing material: 5 – 8 Nm.  
(depends on cable manufacturer's prescription).

**DIMENSIONS IN MILIMETERS**

Type	DØ	L	B	I	dØ	H1	H2	h	A	C	J	kdØ	I2	Strength
KOZ TRI 25-40	3x25-40	160	75	125	14,5	68-95	14	38	20	15	49	6,5	131,5	40.000 N
KOZ TRI 38-53	3x38-53	183	78	145	15	82-116	23	41	23,5	15	51	6,6	154	48.800 N
KOZ TRI 53-66	3x53-66	216	80	169	15	100-120	44	44	25	15,5	-	-	-	69.000 N
KOZ TRI 67-82	3x67-82	250	90	200	16,5	130-164	44,3	61,5	26	16,5	60	8,5	216	55.600 N
KOZ TRI 82-98	3x82-98	282	100	234	16,5	125-160	79,5	69,5	26	16,5	69,15	10,5	222	52.900 N
KOZ TRI 99-120	3x99-120	342	115	228	19	155-203	98	88	33	18,5	-	-	-	65.000 N
KOZ TRI 121-145	3x121-150	392	115	338	19	180-238	108	100	33	18,5	-	-	-	65.000 N





# TRI ECO SERIES CABLE CLAMPS

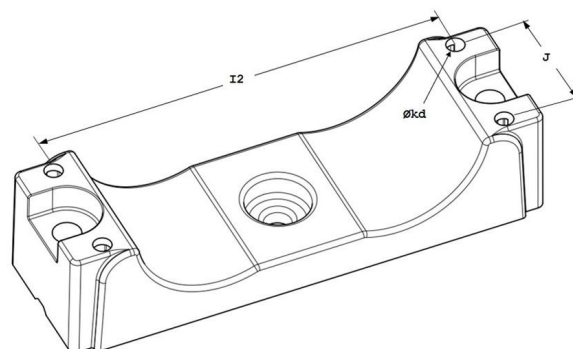
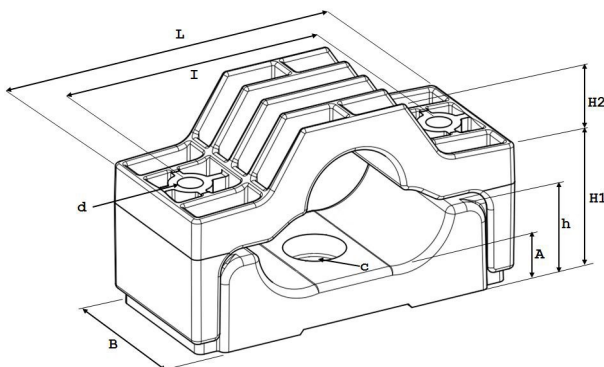
**Application:** Suitable for mounting 3 single- and multiple-conductor low- medium- and high voltage cables with a nominal outer diameter of 24mm t/m 82mm.

**Design:** The TRI eco clamp consist of 2 parts, a bottom part and a upper part. They are designed for an easy installation of the cable in Trefoil (3 cables) formation. The TRI eco clamps have two fixing holes for threaded rods or bolts, furthermore the upper and bottom part has integrated chambers through which the nuts fall away in the clamp. The bottom part is also provided with a central fastening hole which enables more installation possibilities.

Initial torque for fastening fixing material: 5 – 8 Nm.  
(depends on cable manufacturer's prescription).

## DIMENSIONS IN MILIMETERS

Type	DØ	L	B	I	dØ	H1	H2	h	A	C	J	kdØ	I2	Strength
KOZ TRI eco 24-35	3x24-35	136	70	101	11	54-78	20	35	20	11	-	-	-	15.000 N
KOZ TRI eco 33-46 (11)	3x33-46	156	70	121	11	58-90	30	41	20	11	-	-	-	16.900 N
KOZ TRI eco 33-46 (13)	3x33-46	166	70	130	13	64-86	29	38	20	13	-	-	-	20.300 N
KOZ TRI eco 47-66	3x47-66	205	70	170	13	80-120	38	51	19	13	-	-	-	22.300 N
KOZ TRI eco 67-82	3x67-82	232	70	200	12,5	90-121	72	52,5	17	12,5	50	8,3	190	23.900 N







# UNI SERIES CABLE BLOCKS

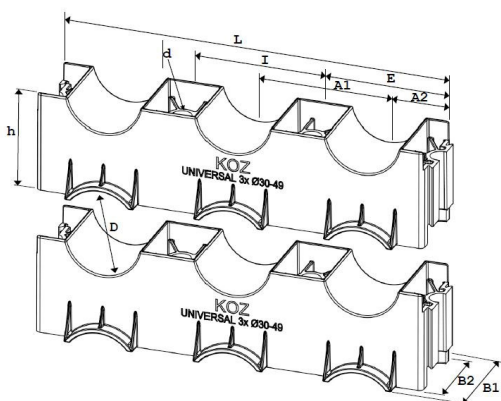
**Application:** Suitable for mounting multiple single- and multiple-conductor low- medium- and high voltage cables alongside or in layers upon each other.

**Design:** The UNI block consist of 1 part, which has both the function of a bottom and upper part. They are designed for an easy installation of the cables in a flat formation of multiple cables alongside or in layers upon each other. For 1 layer of cables you will need at least 2 parts to be able to clamp the cables.

Initial torque for fastening fixing material: 5 – 8 Nm.  
(depends on cable manufacturer's prescription).

**DIMENSIONS IN MILIMETERS**

Type	DØ	L	I	E	A1	A2	B1	B2	dØ	h	Strength
KOZ UNI 3x 13-32	13-32	186,5	60,5	62,75	60,5	32,25	61	45	10,5	43	26.680 N
KOZ UNI 4x 13-32	13-32	246,5	121	62,75	60,5	32,25	61	45	10,5	43	30.000 N
KOZ UNI 3x 30-49	30-49	255	85	83	85	40	66	50	13	65	41.700 N
KOZ UNI 4x 30-49	30-49	345	170	85	85	45	66	50	13,5	65	30.900 N
KOZ UNI 3x 45-67	45-67	356	117	118	117	61	55	-	12,5	50	70.000 N





# UNI TRI SERIES CABLE BLOCKS

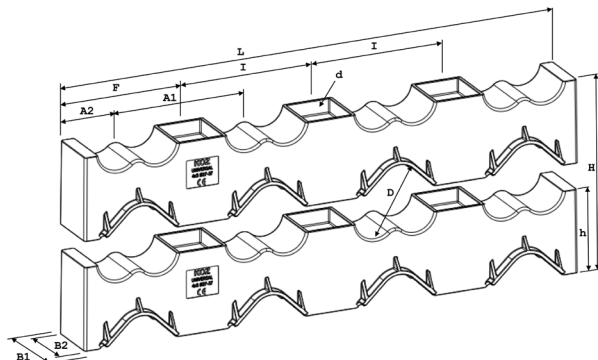
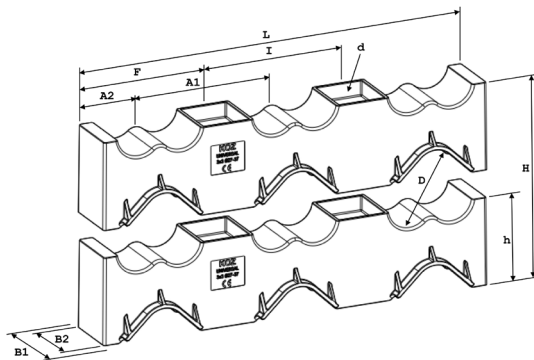
**Application:** Suitable for mounting single- and multiple-conductor low- medium and high voltage cables alongside or in layers upon each other in Trefoil formation with an outer diameter of 27mm t/m 37mm.

**Design:** The KOZ UNI TRI cable blocks are designed in such a way that these blocks can hold 9 or 12 cables, 3x 3 cables or 4x 3 cables in Trefoil formation. This will give you extra possibilities when multiple cables have to be installed in limited spacing.

Initial torque for fastening fixing material: 5 – 8 Nm.  
(depends on cable manufacturer's prescription).

**DIMENSIONS IN MILLIMETERS**

Type	DØ	L	I	F	A1	A2	B1	B2	dØ	h	H	Strength
KOZ UNI TRI 3x3 27-37	27-37	340	119-130	105-110	120	50	66	50	13	75	152-176	36.900 N
KOZ UNI TRI 4x3 27-37	27-37	460	119-125	105-110	120	50	66	50	13	75	152-176	48.200 N







# SQ SERIES CABLE CLAMPS

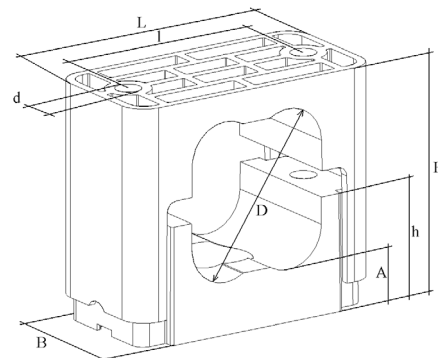
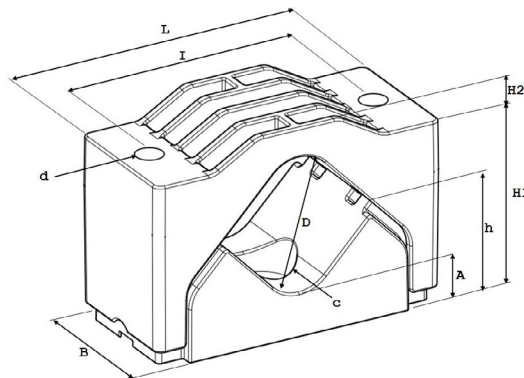
**Application:** Suitable for mounting 4 single- and multiple-conductor low- medium- and high voltage cables with a nominal outer diameter of 25mm t/m 38,5mm.

**Design:** The SQ clamp consist of 2 parts, a bottom part and a upper part. They are designed for an easy installation of 4 cables. The SQ clamps have two fixing holes for threaded rods or bolts. The bottom part is also provided with a central fastening hole which enables more installation possibilities.

Initial torque for fastening fixing material: 5 – 8 Nm.  
(depends on cable manufacturer's prescription).

**DIMENSIONS IN MILLIMETERS**

Type	DØ	L	B	I	dØ	H/H1	H2	h	A	C	Strength
KOZ SQ 25-35	4x25-38,5	138	65	110	12,5	80-108	12,5	56	21	12,5	37.000 N
KOZ SQ 28	4x27,5-28,5	110	55	60	10,5	88-91,4	-	47	22	12,5	49.000 N





## SFHC SERIES CABLE CLAMPS

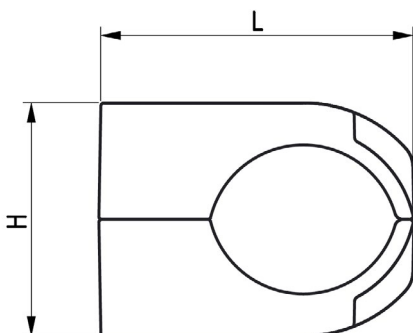
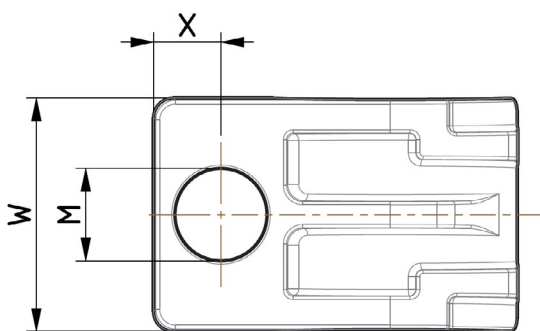
**Application:** This SFHC series is suitable for mounting cables with a nominal outer diameter of 18mm t/m 40mm.

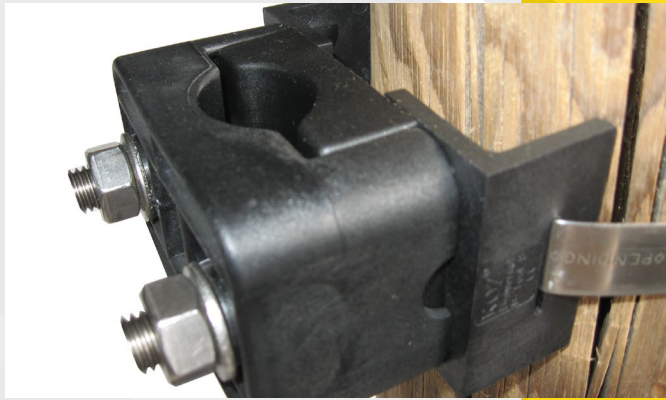
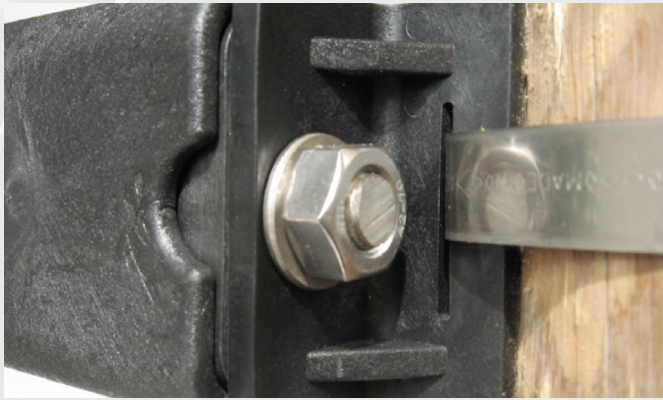
**Design:** The SFHC cleat is designed for an easy installation of small cables, such as a grounding cable, with our KOZ® cable clamps and blocks.

Initial torque for fastening fixing material: 5 – 8 Nm.  
(depends on cable manufacturer's prescription).

DIMENSIONS IN MILLIMETERS

Type	DØ	M	L	H min.	H max.	W	X
KOZ SFHC 18-23	18-23	M8-M14	45	33	38	36	10
KOZ SFHC 23-28	23-28	M8-M14	51	38	43	36	10
KOZ SFHC 28-34	28-34	M8-M14	56	43	49	36	10
KOZ SFHC 34-40	34-40	M8-M14	62	49	55	36	10





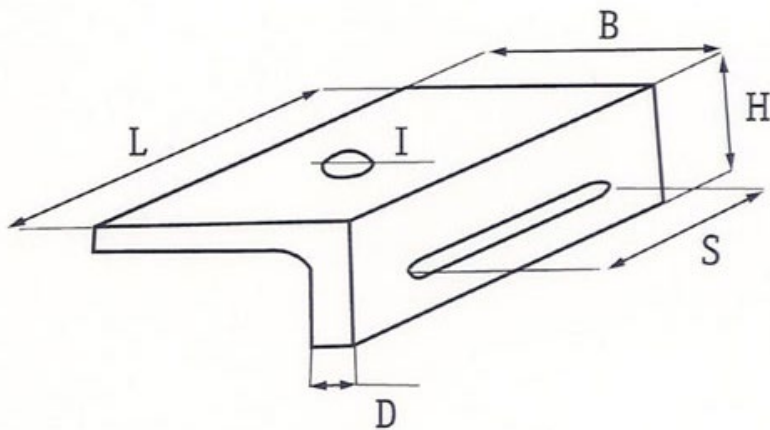
## SPECIAL B-TOOL SERIES

**Application:** The KOZ B-tool S is the tool to assemble KOZ cable clamps and blocks on a straight or round pole, without damaging them by e.g. drilling or sawing. The KOZ B-tool S can also be used to install other products on straight or round poles.

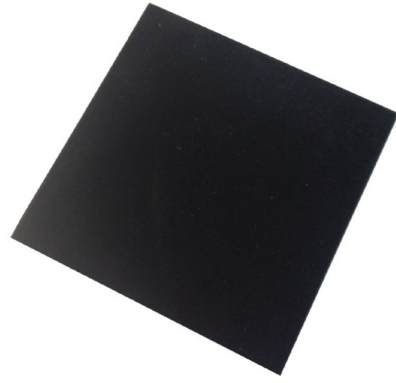
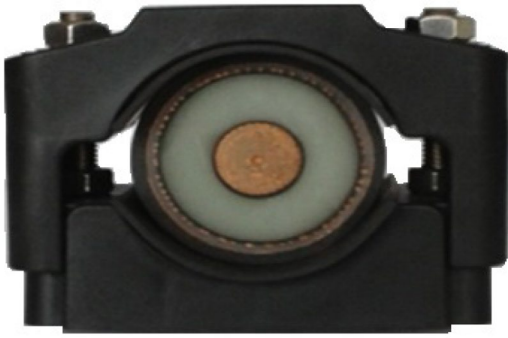
**Extra possibilities:** B-tools can be assembled by using a steel tie ("Bandit band"). You can turn the B-tool inside or outside, depending on the outer diameter of the cable.

DIMENSIONS IN MILIMETERS

Type	L	B	I	D	S	H
KOZ B-TOOL S	60	35	12,5	5	26-2	32
KOZ B-TOOL L	80	42	14,5	6	40-2	34







## KOZ NEOPRENE INLAYS

**Application:** Local covering of the cable, with the aim to eliminate slight diameter changes which can be caused by tightening the mounting nuts too tightly or by changes in the surrounding temperatures. Furthermore, it provides a more stable fixation of cables that are mounted vertically. The neoprene inlays are also suitable for fixing cables with a smaller diameter than what is available in the KOZ cable clamps or blocks assortment.

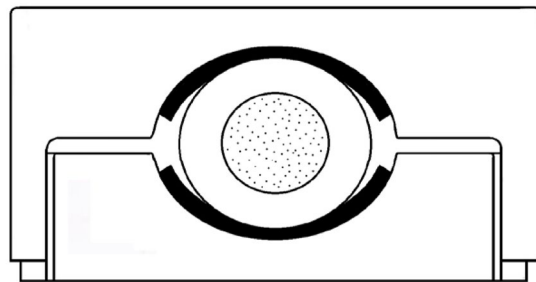
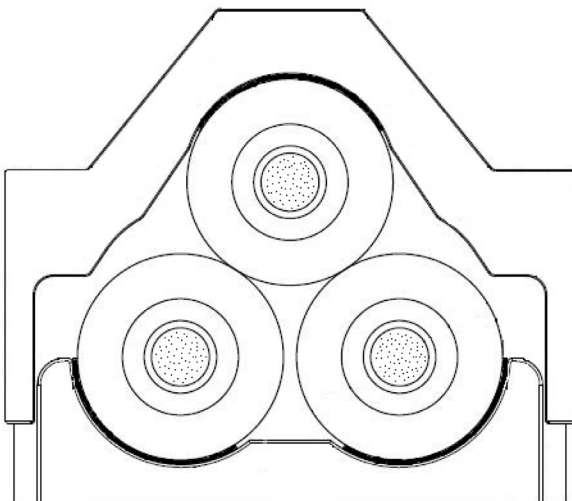
**Design:** The neoprene inlays are suitable for the ST, STC, TRI eco, TRI, UNI, UNI TRI and SQ series.

Available in 2 mm up to 5 mm thickness. High-grade neoprene material.

It is resistant to acids, ozone, weather and most aliphatic oils. Furthermore the material is self-extinguishing according to ISO 4589-2:1999, O2-Index > 30 %. The Axial sliding load test is performed in accordance to the international standard NEN-EN-IEC 61914:2021 at +120°C.

**Advantages:**

- More grip during vertical installation
- Prevention of damaging the cables
- High grade material
- Self-extinguishing
- Resistant to most aliphatic oils





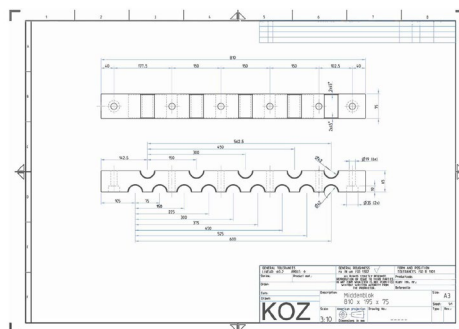
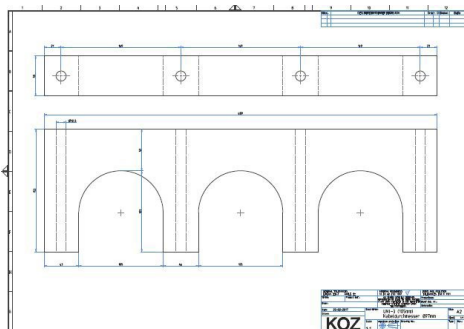
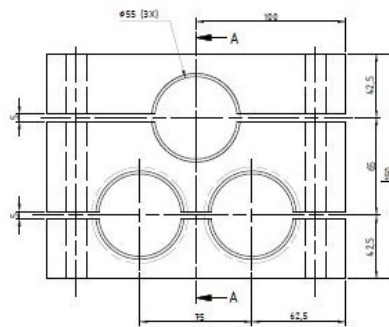
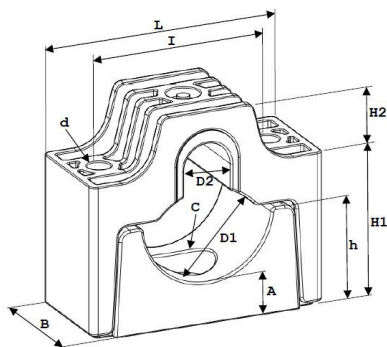
# KOZ SPECIALS CUSTOM MADE

**Application:** KOZ Products B.V. specials blocks can be designed specifically to your specifications, to provide the best way of fitting low-, medium- and high voltage cables in multiples alongside and in layers above each other.

The high (moulded) density of our material means no air will enter, as occurs with other brands of products made from recycled material. The specials can be produced in practically any desired cable configuration. It is possible to perform a lateral or axial load test according to the International standard NEN-EN-IEC 61914:2021. When there are large quantities involved we may explore the option of creating a mould for mass production.

**Procedures:** When starting the process of making a custom made clamp or block, to help solve your technical problem, we need a detailed description of the problem at hand. A detailed drawing would have our preference to avoid misunderstandings.

KOZ Products B.V. will make a final drawing and quotation for approval and will then start the process of making the custom made product. Further details as pricing and delivery times will be enclosed in the quotation.





## KOZ CLEAT COVER FUNCTIONAL INTEGRITY

**Application:** KOZ cleat covers are suitable (in addition to the existing cable cleat) to maintain a functional integrity for the cable cleat whenever a situation can occur where a loss of functional integrity is most likely.

By using the cleat covers the KOZ cable cleats are in accordance with the relevant requirements of the Lloyd's Register Type Approval System.







## FIXING MATERIAL

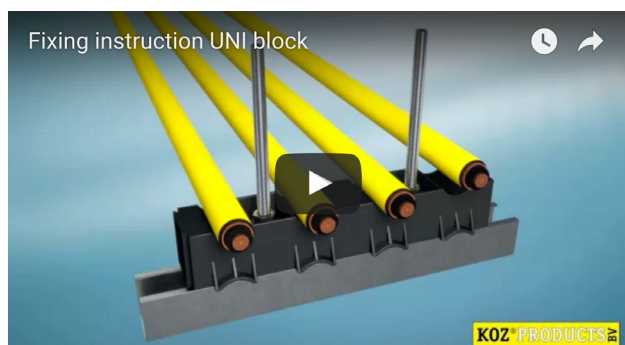
For our full assortment of KOZ cable cleats and blocks we have the standard fixing material set (custom sizes) in stainless steel A2 deliverable from stock.

**Other options:** Besides our standard fixing material set in stainless steel A2 we also have the options for other types such as Electrolytic ally galvanized (ELVZ), Thermal galvanized /Hot Dip Galvanized (HDG), Duplex-steel or stainless steel A4.

Standard we supply our fixing materials separately, however we also provide the option to have the desired fixing materials packed per set. Please contact our Sales department for the possibilities and prices regarding the packing of complete sets for your fixing materials.

**Advice:** Naturally we are pleased to give you advice for which type of fixing material set you need in your own specific situation.

**Installation videos:** On our website you will find several installation video's for multiple possibilities to install the KOZ cable cleats and cable blocks. It only concerns a few common examples. Of course you may always contact us if you need any further advice regarding possible installation options.



The strongest polyamide cable clamps and blocks in the world

# KOZ<sup>®</sup> PRODUCTS BV

Design – Development – Manufacturing



## **KOZ Products B.V.**

Albert Plesmanweg 3

4462 GC Goes The Netherlands

T: +31 (0)113 218 762

F: +31 (0)113 218 794

E: [info@kozproducts.com](mailto:info@kozproducts.com)

W: [www.kozproducts.com](http://www.kozproducts.com)

[WWW.KOZPRODUCTS.COM](http://WWW.KOZPRODUCTS.COM)